



# 1. AM28F008-NM SPECIFICATION

## 1) ELECTRICAL SPECIFICATIONS

### 1-1) INPUT

- Input range ..... DC 28V±20%
- Efficiency ..... 60% typ.

### 1-2) OUTPUT

- Vout1 : DC -8V/2W
- Line regulation ..... ±5%
- Load regulation ..... ±5%
- Ripple and Noise, pk-pk

Bandwidth : 20MHz Magnitude : ±1% Vout nom

### 1-3) PROTECTION CIRCUIT

- Short circuit protection

### 1-4) ELECTRICALLY ISOLATED

- No Isolation

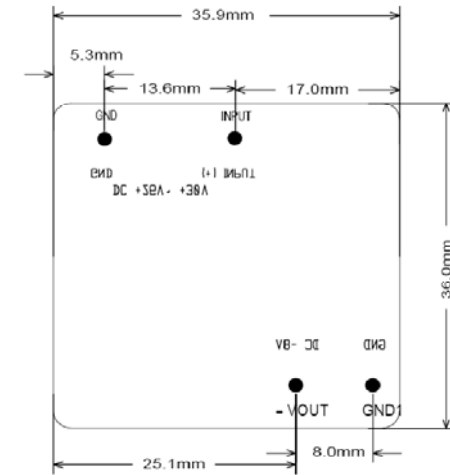
## 2) DIMENSIONS

- Case size : 38mm X 38mm X 13.5mm
- PIN size : 2.5mmx 0.68φ

## 3) ENVIRONMENTAL

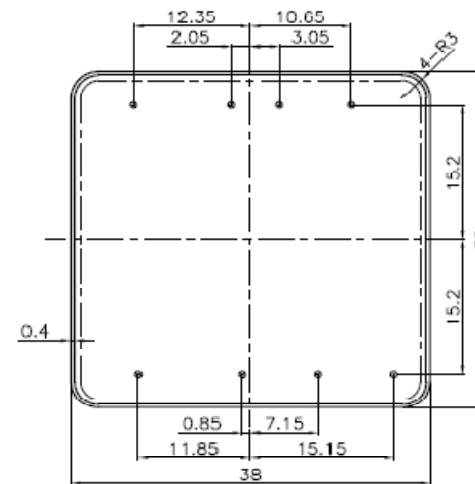
- Operating temperature range ..... 0°C~50°C
- Storage temperature range ..... -30°C~80°C
- Operating humidity (non condensing) .. 20%~90%RH
- Storage humidity (non condensing) ..... 10%~95%RH
- Cooling method ..... Convection

T.B.D



LABEL DRAWING

PCB DRAWING



CASE DRAWING



# 1. AM28F015-PM SPECIFICATION

## 1) ELECTRICAL SPECIFICATIONS

### 1-1) INPUT

- Input range ..... DC 28V±20%
- Efficiency ..... 80% typ.

### 1-2) OUTPUT

- Vout1 : DC 15V/25W
  - Line regulation ..... ±5%
  - Load regulation ..... ±5%
  - Ripple and Noise, pk-pk
- Bandwidth : 20MHz Magnitude : ±1% Vout nom

### 1-3) PROTECTION CIRCUIT

- Short circuit protection

### 1-4) ELECTRICALLY ISOLATED

- No Isolation

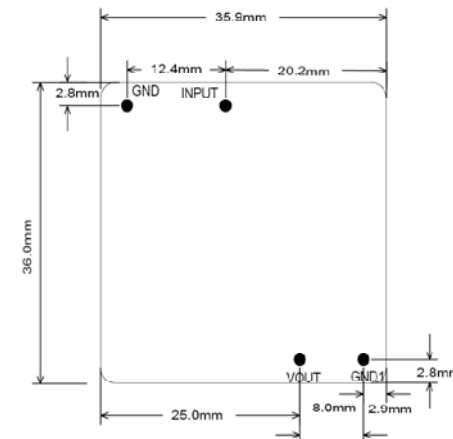
## 2) DIMENSIONS

- Case size : 38mm X 38mm X 13.5mm
- PIN size : 2.5mmx 0.68φ

## 3) ENVIRONMENTAL

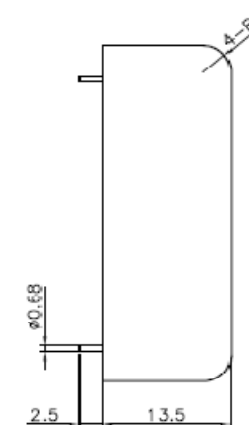
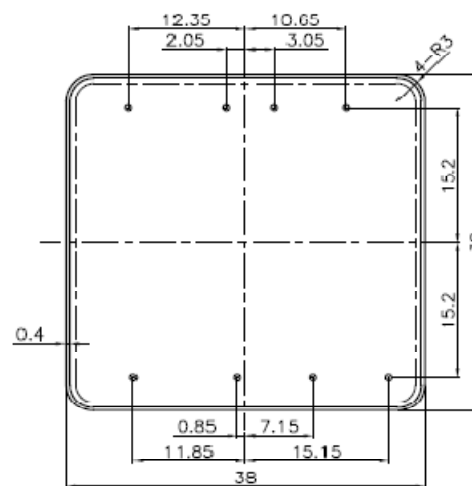
- Operating temperature range ..... 0°C~50°C
- Storage temperature range ..... -30°C~80°C
- Operating humidity (non condensing) .. 20%~90%RH
- Storage humidity (non condensing) ..... 10%~95%RH
- Cooling method ..... Convection

T.B.D



LABEL DRAWING

PCB DRAWING



CASE DRAWING



# 1. AM28F005-PM SPECIFICATION

## 1) ELECTRICAL SPECIFICATIONS

### 1-1) INPUT

- Input range ..... DC 28V±20%
- Efficiency ..... 80% typ.

### 1-2) OUTPUT

- Vout1 : DC 5V/30W
- Line regulation ..... ±5%
- Load regulation ..... ±5%
- Ripple and Noise, pk-pk

Bandwidth : 20MHz Magnitude : ±1% Vout nom

### 1-3) PROTECTION CIRCUIT

- Short circuit protection

### 1-4) ELECTRICALLY ISOLATED

- NO Isolation

## 2) DIMENSIONS

- Case size : T.B.D
- PIN size : T.B.D

## 3) ENVIRONMENTAL

- Operating temperature range ..... 0°C~50°C
- Storage temperature range ..... -30°C~80°C
- Operating humidity (non condensing) .. 20%~90%RH
- Storage humidity (non condensing) ..... 10%~95%RH
- Cooling method ..... Convection

T.B.D

T.B.D

LABEL DRAWING

CASE DRAWING



PCB DRAWING